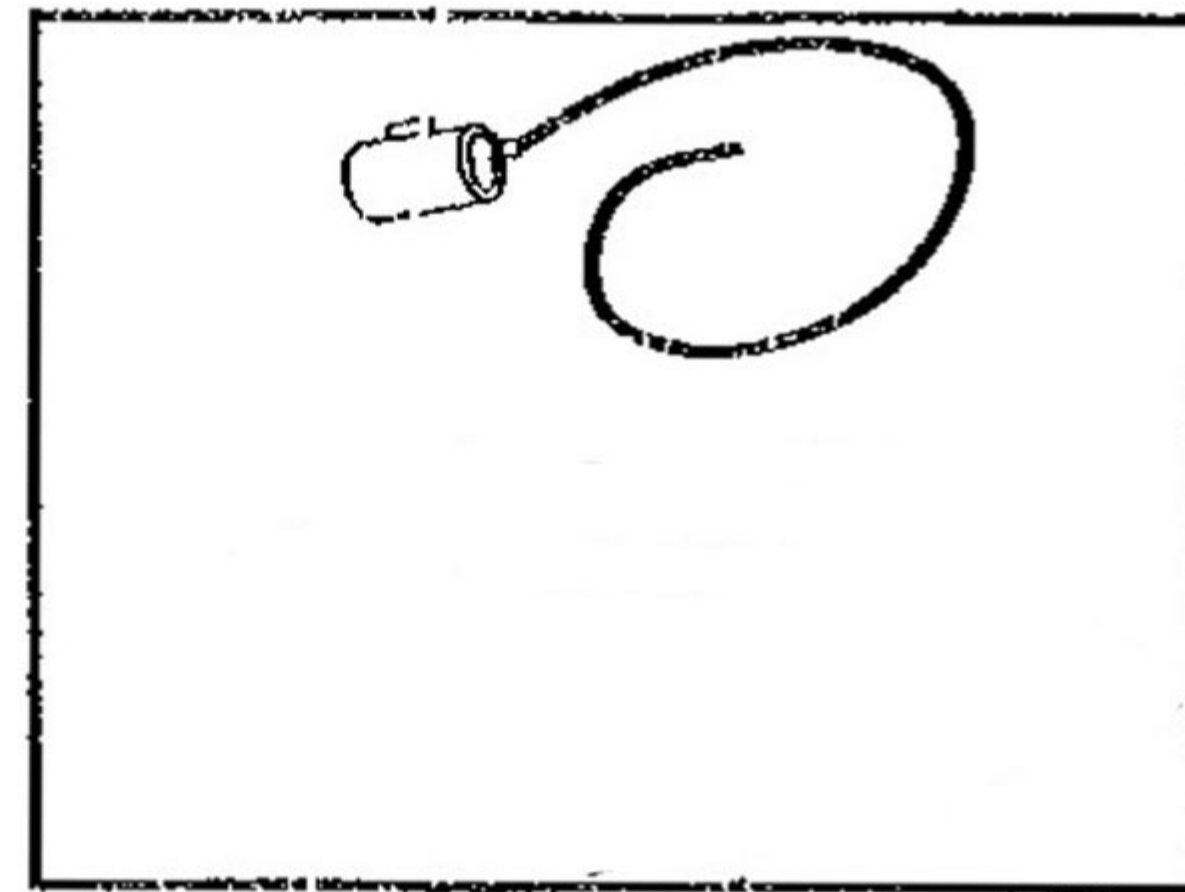


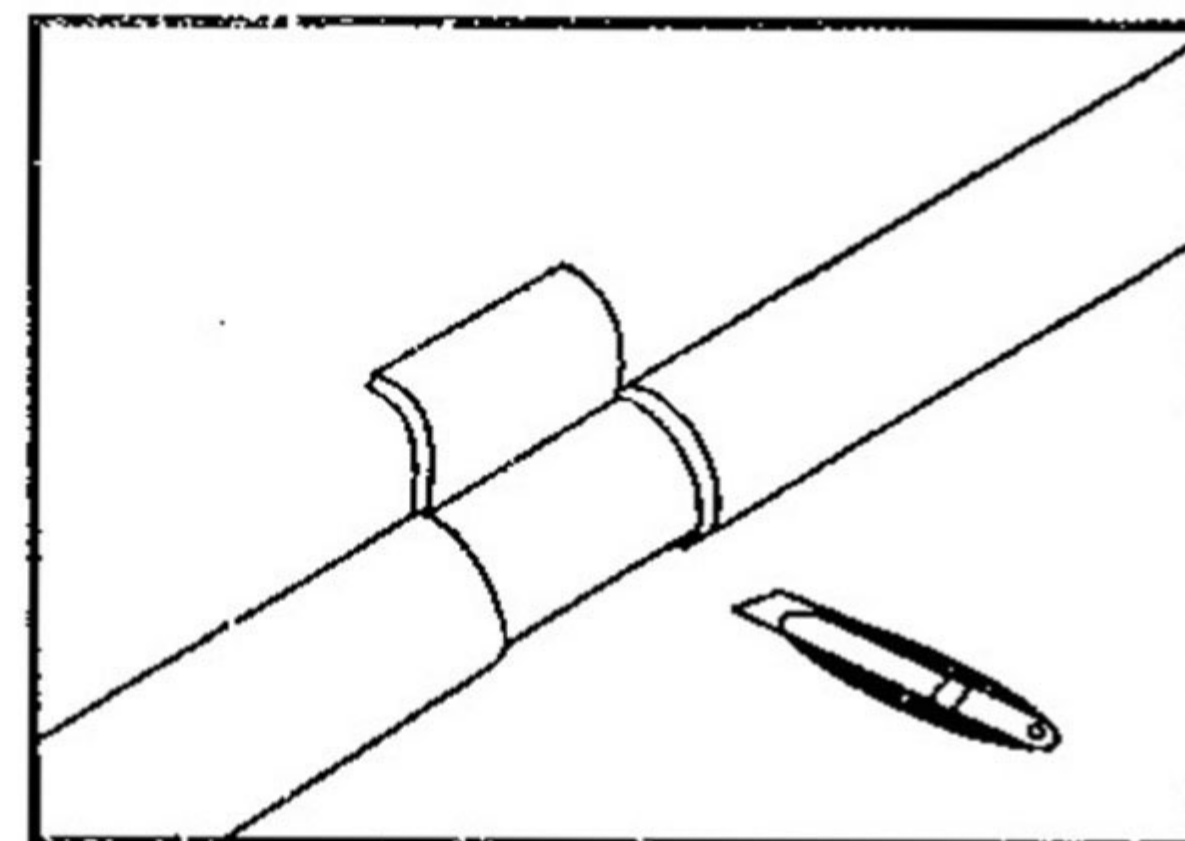
Installation Instructions

This package includes the following.

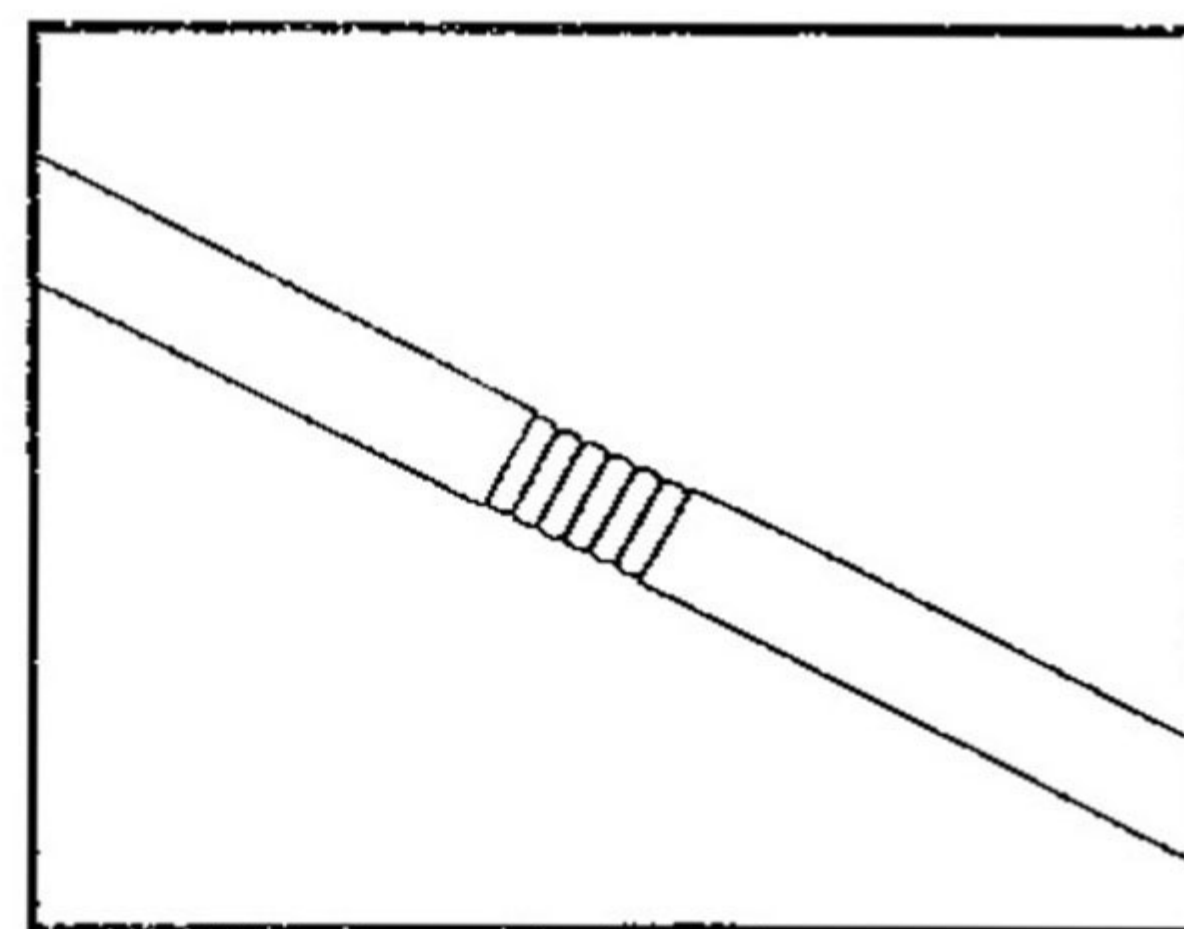
The grounding kit, a sachet of silicone grease and a cap screw, hex nut and sachet of silicone grease.



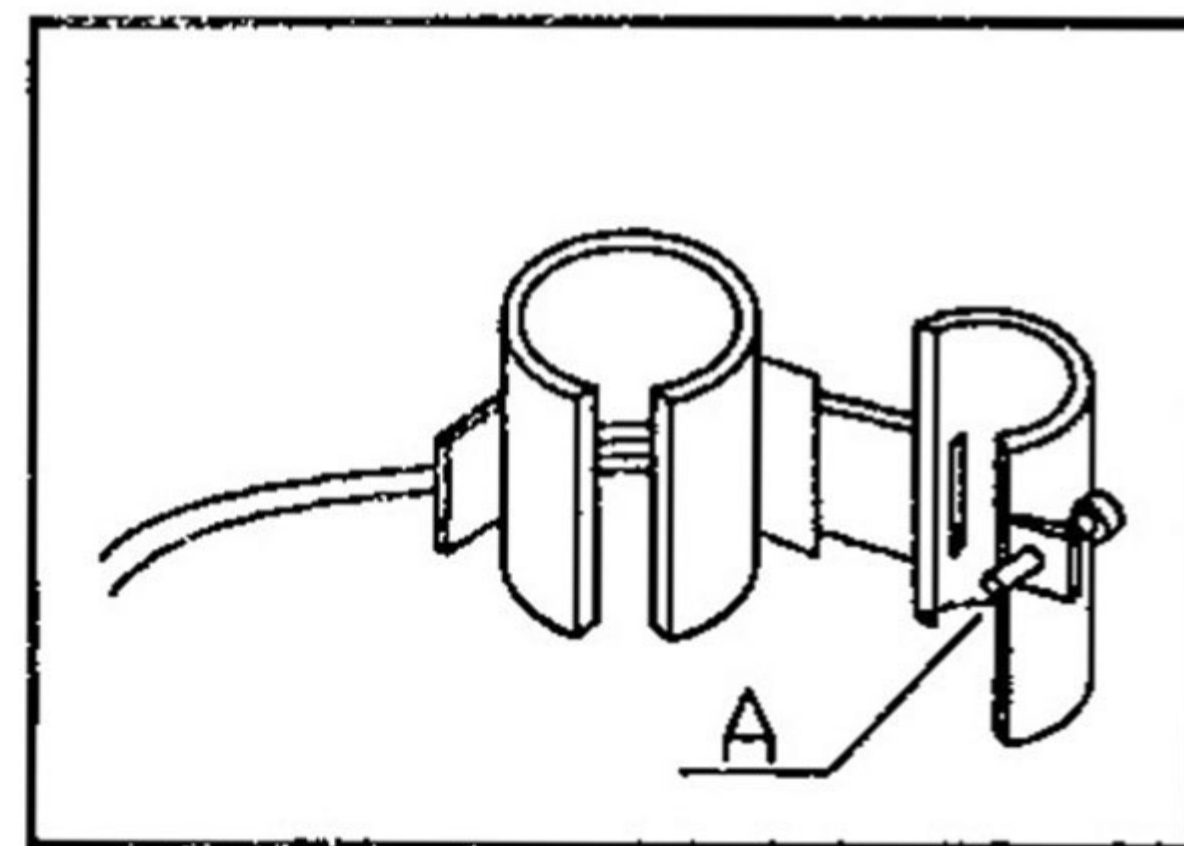
Select a straight portion of the cable and remove a section of the jacket measuring 24mm minimum to expose the outer copper braid or shielding being careful not to damage this.



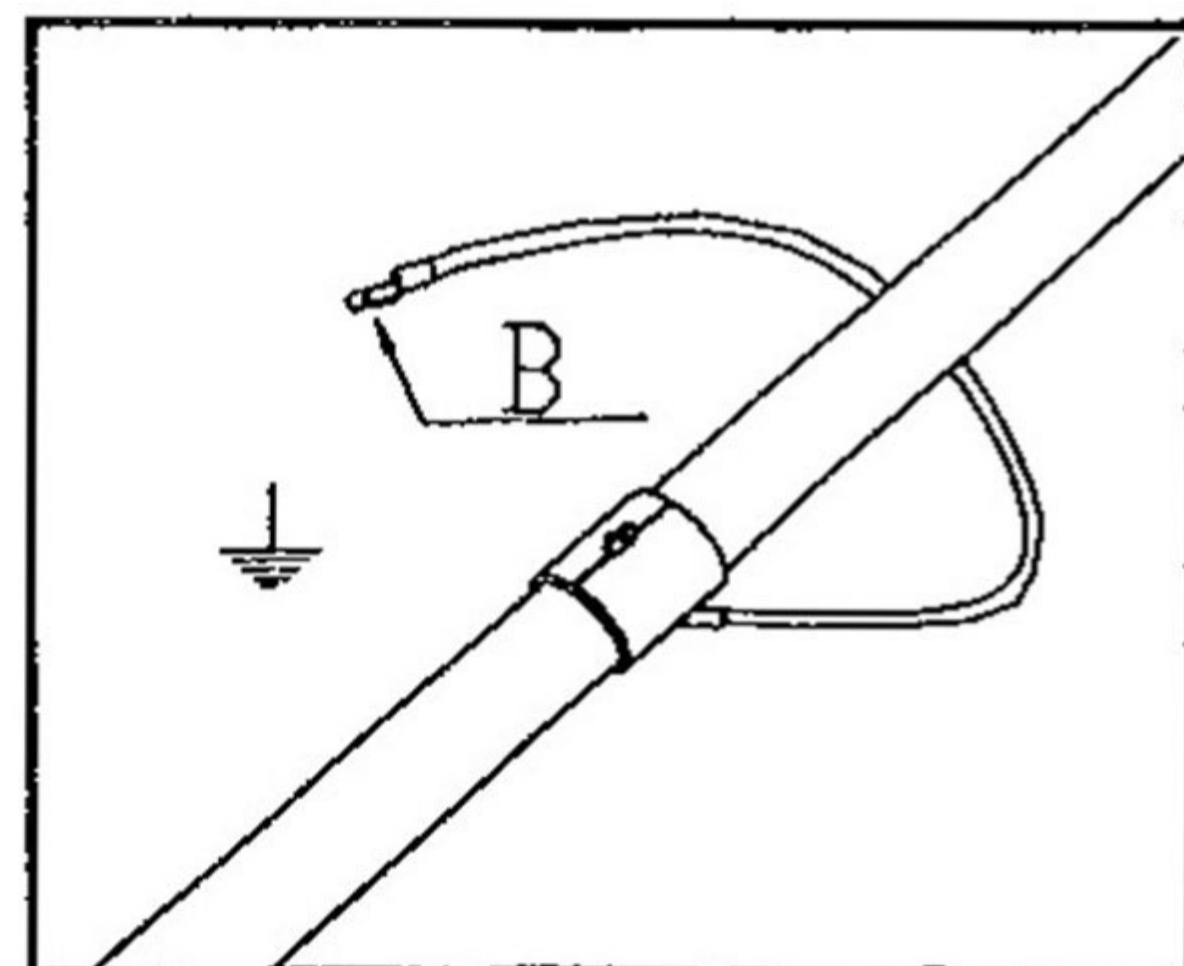
Remove the section of the sheath / outer jacket you have cut and clean the outer conductor / braid to ensure that a good connection will be made.



Open the clamp carefully to expose the inner contact. Open the inner contact by hand to fit around the outer conductor. Spread a uniform coating of the silicone grease on the inner and outer external gasket surface. Close the clamp ensuring that the inner gasket does not snag and tighten the clamp fixing screw (A) until the two tangs are in tight contact with each other.



Fix the cable lug (B) to the ground bar of the tower and this completes the installation of the kit.



REMARKS:

The above installation instructions are for qualified and experienced personnel only. They have been conceived to guide the people to perform operations in the most easy and safe way.

The manufacturer disclaims any liability or responsibility for results due to improper or unsafe installation practices.